



INSTALLATION OF WPC STEPS



CONTACT

RIGA, LATVIA

+371 26323290 +371 2888290

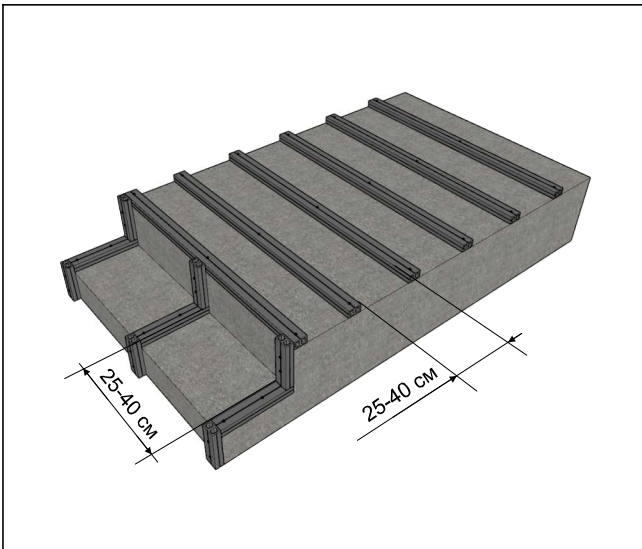
info@ecodeckprofile.lv

www.ecodeckprofile.lv

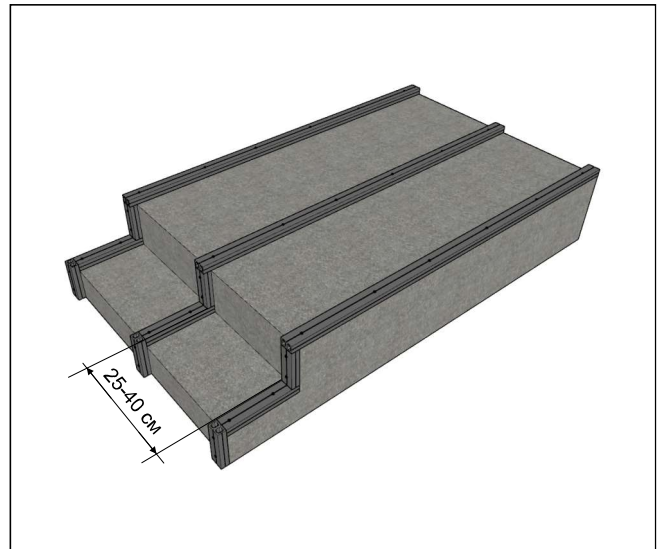
INSTALLATION OF WPC STEPS..

When installing steps, it is necessary to provide a slope of the base (1 cm decrease per linear meter) for water drainage.

Install joists on the base with a step of 25-40 cm. Fasten the joists to the base with dowel nails. Pre-drill holes of the appropriate diameter in the joists.



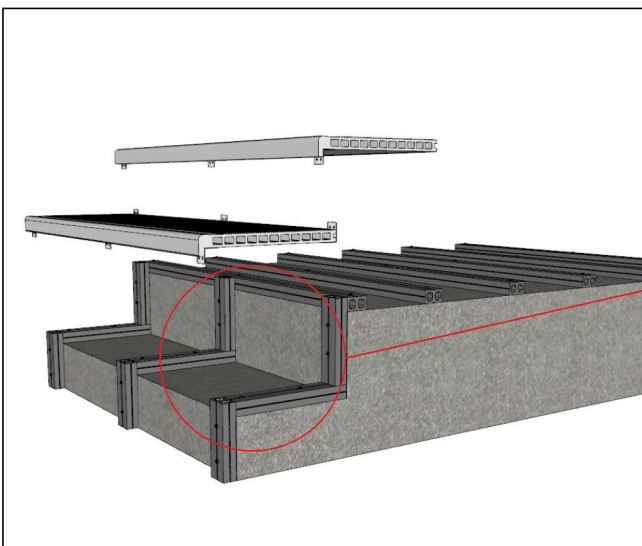
Pic. 1 Installation of the joist



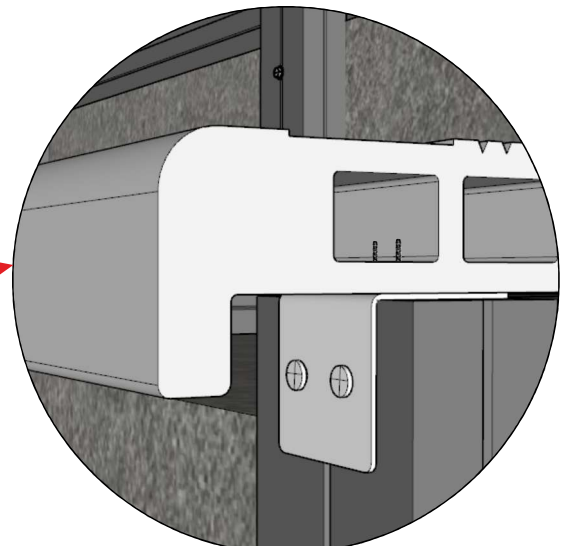
Pic. 1-a Installation of the joist
(board parallel to the step)

We fasten the perforated corners made of galvanized steel with screws to the bottom of the step. It is necessary to pre-drill holes for the screws.

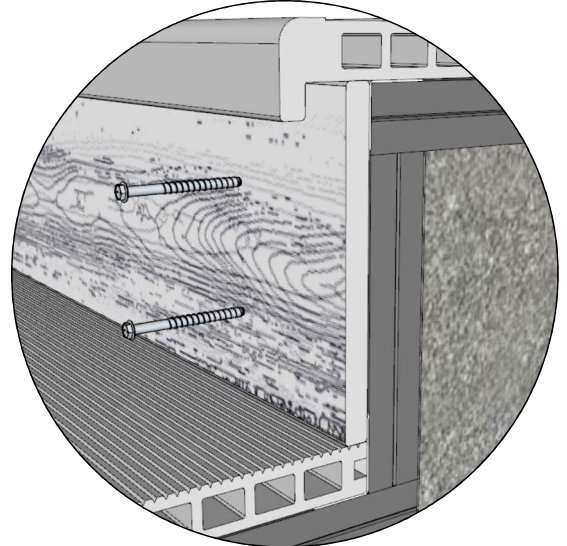
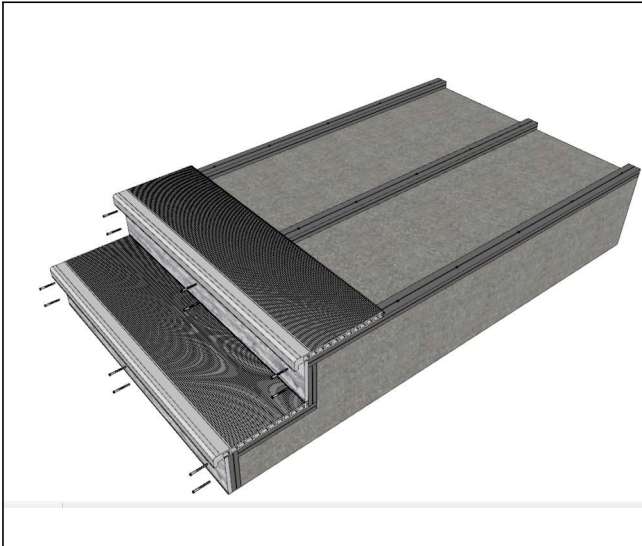
The step with corners is fastened with self-tapping screws to the joists or through the vertical joist, with a dowel-nail to the base.



Pic. 2 Installation of step fastening corners

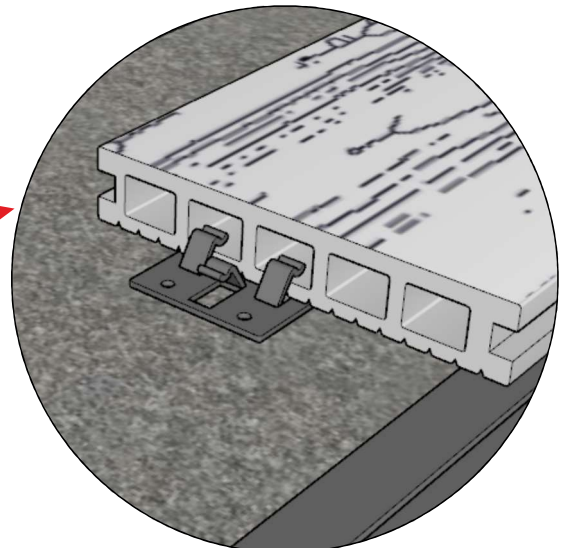
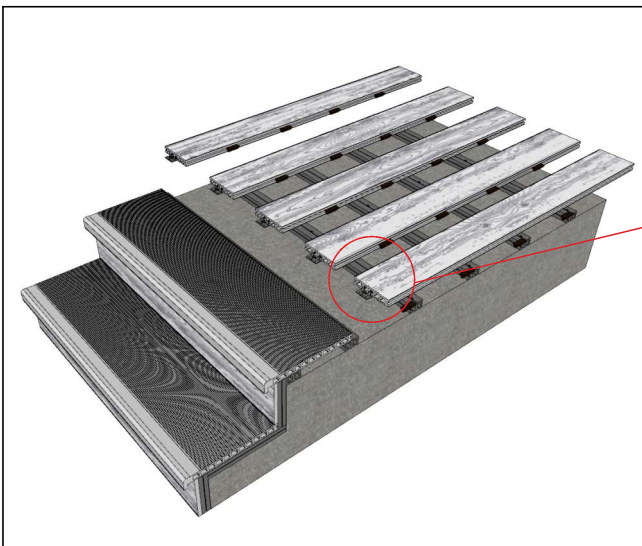


Installing a riser. You can use EcoDeckProfile decking or fence board as a riser.

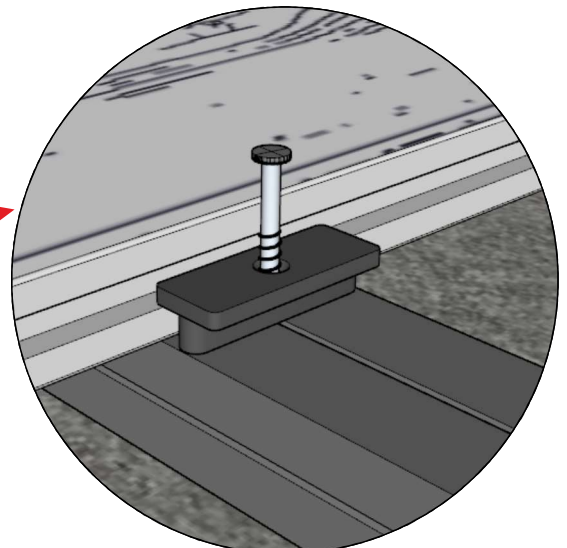
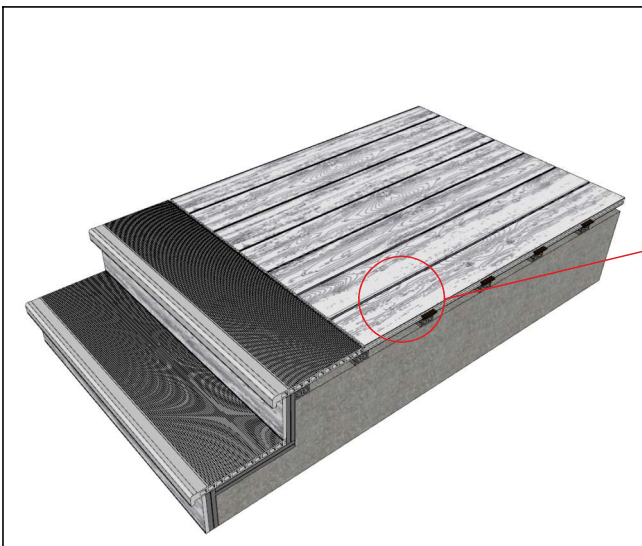


Pic. 3 Installation of the riser.

If the boards are adjacent to the step with their ends, mark and install metal clips at the points where the ends of the boards are adjacent to the step.

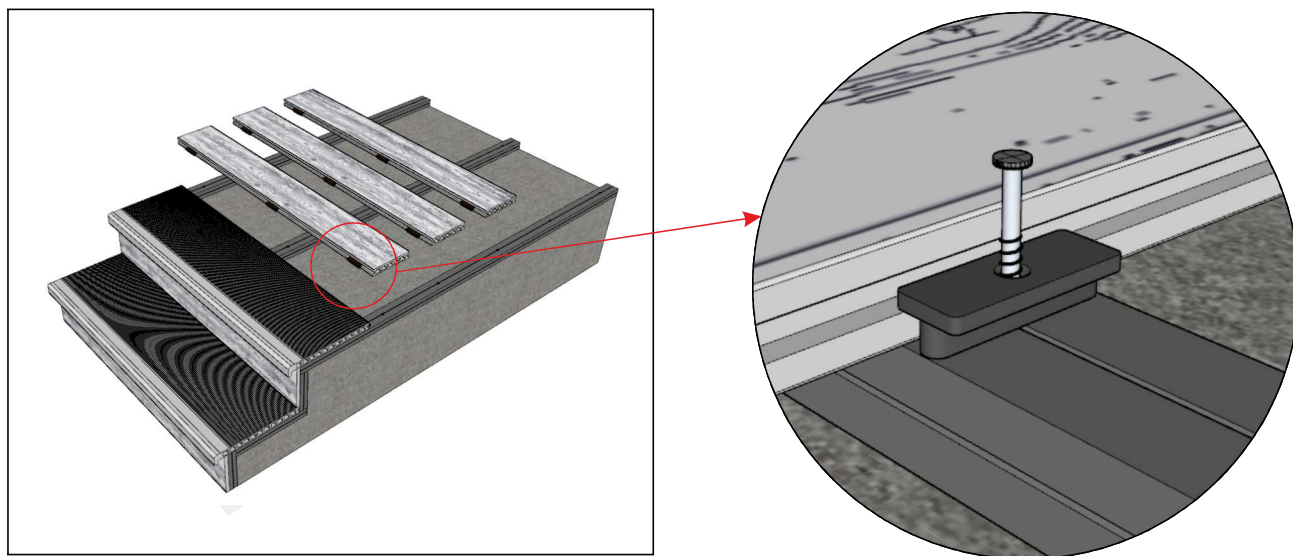


Pic. 4. Installation of the clip with the end face connected.



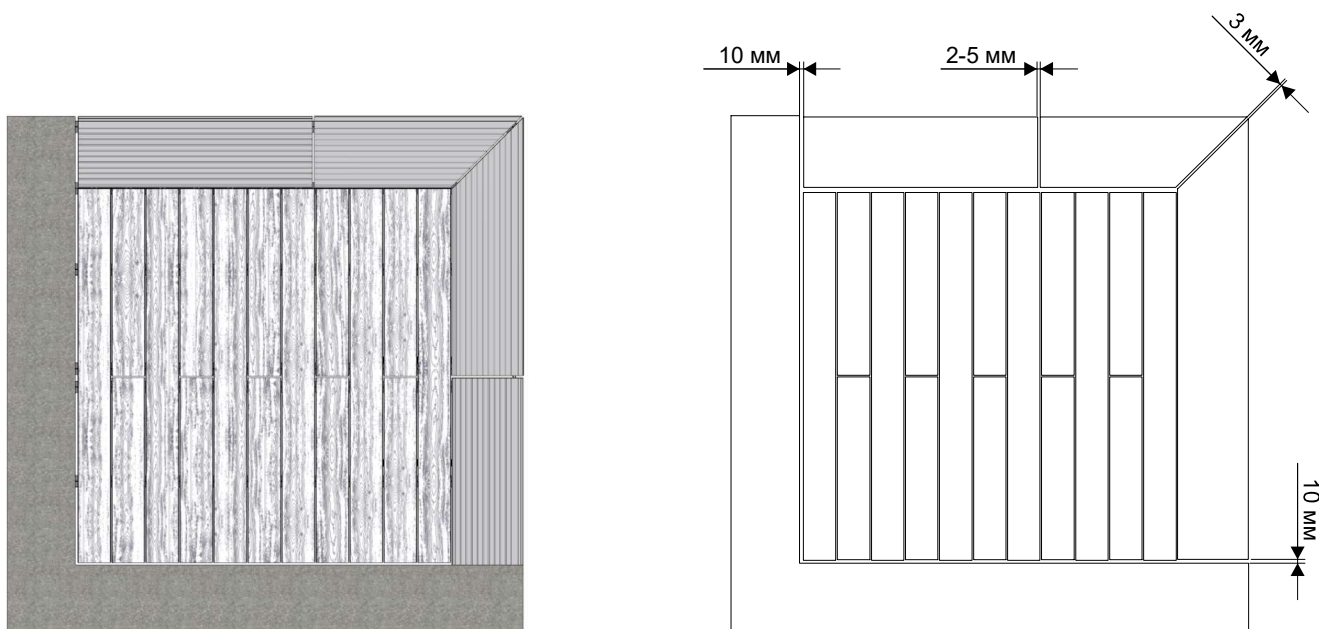
Pic. 5 End-to-end joining.

If the board is parallel to the step, you can use a standard plastic clip.



Pic. 6 Installation of the plastic clip.

Decorating the edge of a terrace with a step.



Pic. 7 Recommended indents.